



INDUSTRIAL VACUUM SYSTEMS

RoadSweepVac



We bring the suction
power on the road



wieland lufttechnik

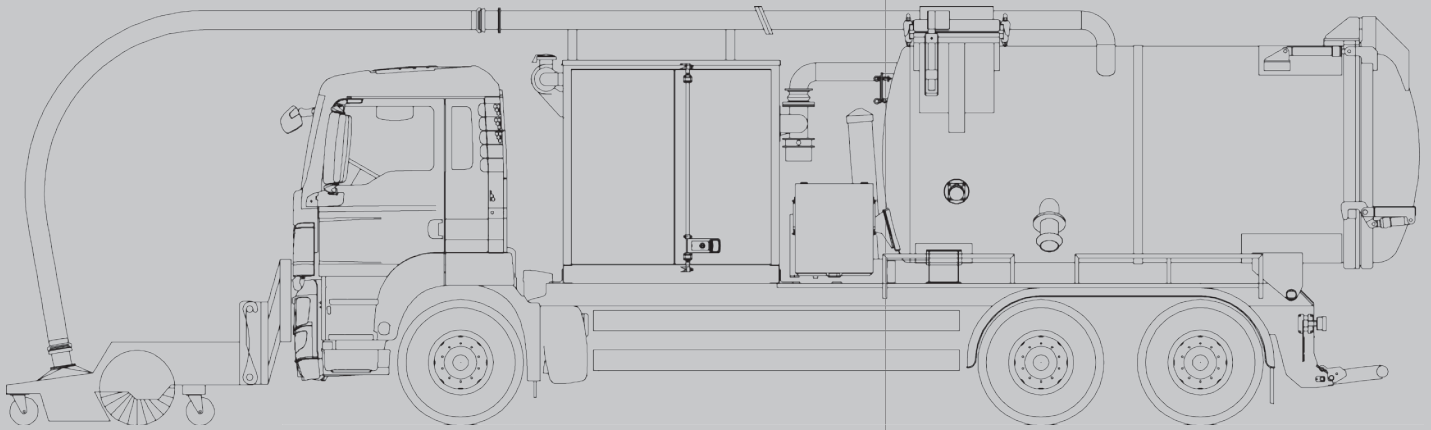
Wetterkreuz 12
91058 Erlangen
Germany

Phone +49 9131 60 67-0

Fax +49 9131 60 44 01

info@wieland-luft.com

www.wieland-luft.com



Many large industrial plants which handle bulk material, such as cement plants, require vacuum trucks in order to extract large amounts of material agglomerations, e.g. from under belt conveyors or inside process buildings. Many of these plants also need to clean the pavements and drive ways of the plant. For this, they require a road sweeper.

From now on, this additional vehicle is not necessary anymore. For our BlowVac range of vacuum trucks we can now supply the RoadSweepVac suction nozzle, which extracts dust and dirt from drive ways.

Various configurations of the RoadSweepVac suction nozzle are available.

Forget about a separate road sweeper!
A BlowVac vacuum truck and a RoadSweepVac suction nozzle is all you need.

One unit for everything: Vacuum extraction of agglomerations from belt conveyors, pits and removal of blockages from filters or other machinery and new: Vacuum cleaning of drive ways and open surfaces with the RoadSweepVac suction nozzle.

1217-458